

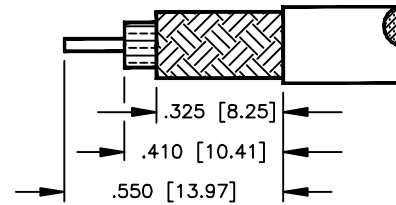
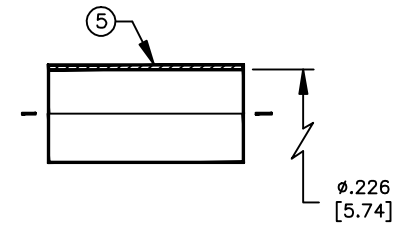
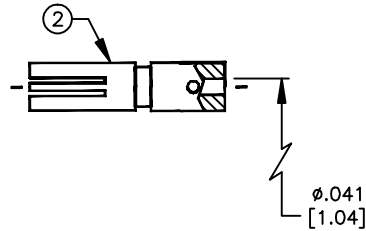
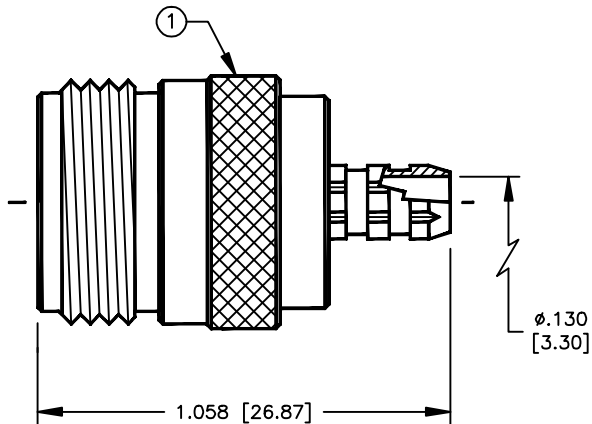
SPECIFICATION CONTROL DRAWING

THIS DRAWING CONTAINS INFORMATION PROPRIETARY TO RF INDUSTRIES, LTD. ANY UNAUTHORIZED USE OF THIS DRAWING IS EXPRESSLY PROHIBITED. ANY VIOLATION IS PUNISHABLE UNDER U.S. COPYRIGHT LAWS.

REV	DESCRIPTION	DWN	DATE	APPROVED
A	ENGINEERING RELEASE	KMM	7/17/96	R. RICE
B	CHG CONTACT, FER STUD & DIE DIMS / CORRECT DIMS	CZS	12/16/98	R. RICE

000000

ALL DIMENSIONS ARE REFERENCE ONLY



SUGGESTED STRIPPING INSTRUCTIONS
SUGGESTED CRIMP DIES: .100 & .213

SPECIFICATIONS:

IMPEDANCE: 50 OHMS
WORKING VOLTAGE: 1000 VRMS @ SEA LEVEL
FREQUENCY RANGE: 0-11 GHz
INSERTION LOSS: ≤ -2 dB @ 10 GHz
VSWR MAX: 1.3:1 @ 9 GHz
FOR RG-55, 55A, 55B, 142, 142A, 142B & 223/U,
ALPHA 9055, 9055B, 9223, BELDEN 8219, 83242, 84142, 9907
INTERFACE PER MIL-STD-348A, SECTION 304.2

DIMENSIONS ARE IN INCHES AND [MILLIMETERS]	
UNLESS OTHERWISE NOTED TOLERANCES ARE: DECIMALS DIAMETER	
DRAWN C. ZUNIGA	12/16/98
CHECKED	
ORJ DRAWN K. MAXWELL	7/17/96
APPROVALS	DATE

RF connectors
DIVISION OF RF INDUSTRIES, LTD.

7610 MIRAMAR RD
SAN DIEGO, CA 92126
(619)549-6340
(619)549-6345 FAX

RFN-1027-C1

N FEMALE CRIMP

ITEM	DESCRIPTION	QTY	MATERIAL	FINISH
5	FERRULE [FER-20C1]	1	BRASS	SILVER
4	PRESS-FIT GROUND RING	1	BRASS	SILVER
3	DIELECTRIC	1	PTFE	NONE
2	CONTACT	1	BRASS	GOLD
1	BODY	1	BRASS	SILVER

SIZE A	CABLE GROUP C1	DWG NO. 8655	REV B
SCALE: 2:1		CAD FILE 13ARC B	SHEET 1 OF 1